

# EVBox BusinessLine

## Business charging solution for the EU



Up to 22 kW per connector

Charges 2 cars simultaneously on a double station

Durable, weatherproof design and integrated electrical protections

Efficiently distributes power via (dynamic) load balancing


Scalable to include up to 20 charging points per Hub-Satellite network


 Wi-Fi and 4G connection


 kWh meter

 Built-in RCBO

 Leakage detection

 Tariff settings for public charging

 Remote maintenance

 Easy installation, service and maintenance

[saulesgraza.lt](https://saulesgraza.lt)

[evbox.com](https://evbox.com)



## Technical features

<b>Max charging capacity</b>	22 kW per connector
<b>Charge mode</b>	Mode 3, Z.E. Ready
<b>Number of connectors</b>	1 or 2
<b>Connector type</b>	Type 2 socket (shutter optional)
<b>Output power</b>	3-phase, 230 V – 400 V, 16 A and 32 A
<b>Temperature range</b>	-25°C to +50°C
<b>Moisture (non-regulating)</b>	Max. 95% RH, non-condensing
<b>Electrical protections</b>	Integrated RCBO + DC leakage current protection
<b>Energy meter</b>	MID-certified kWh meter
<b>Authorization</b>	Autostart / Keyfob / RFID card
<b>Information status</b>	LED ring
<b>Communication</b>	LTE (CAT-1) / GSM / GPRS / EDGE / GPS / dual band Wi-Fi / Bluetooth / controller with RFID
<b>Communication protocol</b>	OCPP 1.6J

## Physical features

<b>Certification and conformity</b>	CE certified, RED Directive 2014/53/EU, EMC Directive 2014/30/EU, Low Voltage Directive 2014/35/EU, RoHS Directive 2011/65/EU (as amended by 2015/863/EU), EN/IEC 61851-1 (2017), EN/IEC 61851-21-2 (2018), EN/IEC 61000-32 (2014), EN/IEC 61000-3-3 (2013), EN 301 489-1 V2.2.0, EN 301 489-3 V2.1.1, EN 301 489-17 V3.2.0, EN 301 489-52 V1.1.0, EN 301 908-1 V11.1.1, EN 301 511 V12.5.1, EN 300 330 V2.1.1, EN 300 328 V2.1.1, EN 301 893 V2.1.1, EN 300 220-1 V3.1.1, EN 300 220-2 V3.1.1
-------------------------------------	--

## Enclosure protection

**Housing** IP55, IK08

**Dimensions (mm)** Polycarbonate  
600 x 255 x 205 mm (single socket)

## Weight

600 x 255 x 410 mm (double socket)  
10 kg excluding packaging (single connector)  
12 kg excluding packaging (double connector)

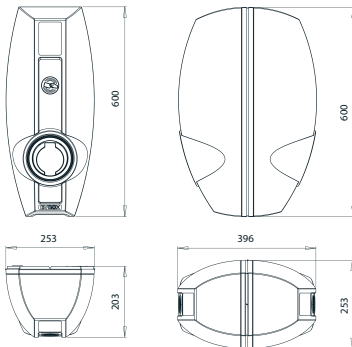
## Mounting

**Standard colors** Wall or pole  
RAL 7016 (dark grey), RAL 9016 (white), RAL 5017 (blue)

**Load balancing** Yes, local and dynamic (via EVBox Smart Charging)

**Cluster configuration** Up to 20 connectors per Hub-Satellite network

Dimensions in mm



Copyright © 2019 EVBox Manufacturing B.V. EVBox® and the EVBox logo are registered trademarks. All rights reserved. EVBox has compiled this document to the best of its knowledge but does not warrant that all information provided is error-free; EVBox does not accept liability in that respect. All specifications are approximates only. The limited warranty conditions are stated in the applicable EVBox general terms and conditions. EVBPI\_BL-EN\_122019 © EVBox Manufacturing B.V.